

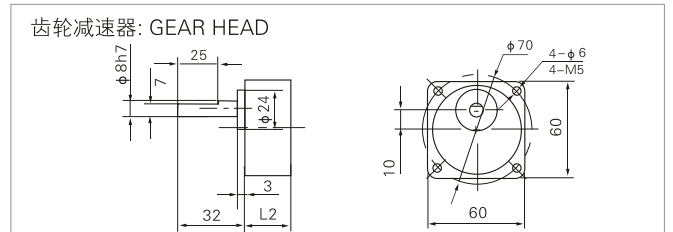
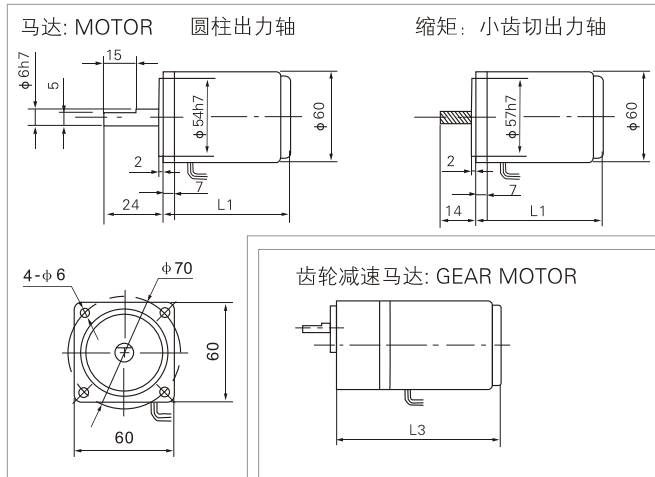
感应马达 Induction Motor **4-10W**



马达特性表 Specifications of motor

马达型号 Motor Model No.		出力 Force W	周波数 Peripheral Wave No Hz	电压 Voltage V	电流 Current A	起动转矩 Start Turning Moment gcm	定格 Rating		容量 Capacity μF	耐电压 Resistance Voltage V	齿轮型号 Gear Model No		
圆柱出力轴 Cylindrical Output Shaft	小齿切出力轴 Pinion Cut Output Shaft						转矩 Turning Moment gcm	回转速 Revolving No rpm			培林(轴承) Pairing Bearing	中间齿轮 Middle Gear	
感应马达 Induction Motor	2IK4A-A	2IK4GN-A	4	50	110	0.20	390	325	1200	3	250	2GN-K	2GN10X
				60	110	0.18	325	270	1450	2.5			
	2IK4A-C	2IK4GN-C	4	50	220	0.10	390	325	1200	0.8	500	2GN-K	2GN10X
				60	220	0.09	325	270	1450	0.7			
	2IK6A-A	2IK6GN-A	6	50	110	0.24	600	487	1200	3	250	2GN-K	2GN10X
				60	110	0.22	500	400	1450	2.5			
	2IK6A-C	2IK6GN-C	6	50	220	0.12	600	487	1200	0.8	500	2GN-K	2GN10X
				60	220	0.11	500	400	1450	0.7			
	2IK10A-A	2IK10GN-A	10	50	110	0.30	950	812	1200	4	250	2GN-K	2GN10X
				60	110	0.27	800	670	1450	3			
	2IK10A-C	2IK10GN-C	10	50	220	0.15	950	812	1200	1	500	2GN-K	2GN10X
				60	220	0.135	800	670	1450	0.8			

外型尺寸: External dimension



型号 Type	减速比 Reduction ratio	L1 mm	L2 mm	L3 mm
2IK(RK)4A(GN)	1:3~1:20	62	33	95
2IK(RK)6A(GN)		74		107
2IK(RK)10A(GN)		74	107	
2IK(RK)4A(GN)	1:25~1:180	62	42	104
2IK(RK)6A(GN)		74		116
2IK(RK)10A(GN)		74		116

扭距表: Gear Head-Torque Table(Kg-cm)

(Kg/cm × 9.8 ÷ 100) = N · M (牛顿 · 米)

同步转速: r/min	500	300	200	150	120	100	75	60	50	30	20	15	10	7.5	6	5	3	
减速比: Gear reduction ratio	50Hz	3	5	7.5	10	12.5	15	20	25	30	50	75	100	150	200	250	300	500
	60Hz	3.6	6	9	12	15	18	24	30	36	60	90	120	180	240	300	360	600
允许负载 Permissible load	4W	Kg · cm	0.66	1.1	1.7	2.2	2.7	3.3	4.4	5.4	6.5	10.7	15	20	25	25	25	25
	6W	Kg · cm	1.0	1.6	2.5	3.3	4.1	5	6.6	8.1	9.7	16	23	25	25	25	25	25
	10W	Kg · cm	1.7	2.7	4.2	5.5	6.8	8.3	11	13.5	16	25	25	25	25	25	25	25

表列数字是根据马达同步运转的转速,在额定负载情况下实际输出转速为同步运转转速的80%~90%。浅灰色表示输出轴运转方向与马达转向相同,白色栏表示输出方向与马达轴转向相反。

Note: Speed figures are based on synchronous speed, The actual output speed, under rated torque conditions, is about 10~20% less than synchronous speed, a grey background indicates output shaft of geared motor rotates in the same direction as output shaft of motor. A white background indicates rotation in the opposite direction.