

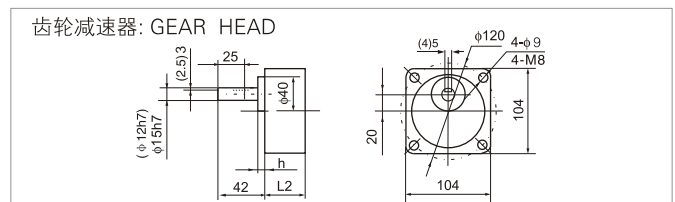
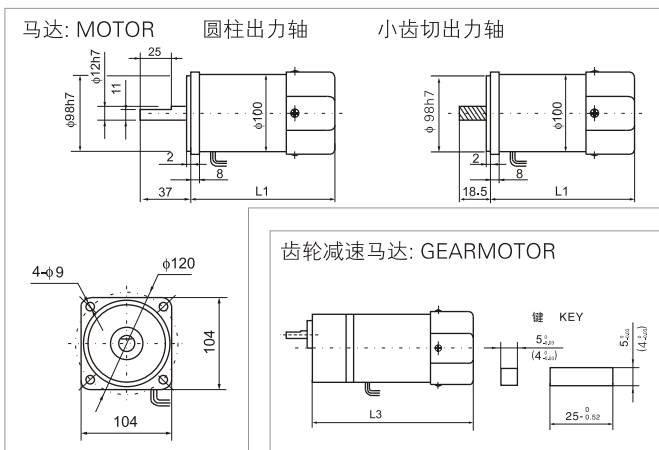
## 感应马达 Induction Motor **120-140W**



### 马达特性表 Specifications of motor

马达型号 Motor Model No.		出力 Force W	周波数 Peripheral Wave No Hz	电压 Voltage V	电流 Current A	启动转矩 Start Turning Moment gcm	定格 Rating		容量 Capacity μF	耐电压 Resistance Voltage V	齿轮型号 Gear Model No		
圆柱出力轴 Cylindrical Output Shaft	小齿切出力轴 Pinion Cut Output Shaft						转矩 Turning Moment gcm	回转数 Revolving No rpm			培林(轴承) Pairing Bearing	中间齿轮 Middle Gear	
感应马达 Induction Motor	6IK120A-A	6IK120 GN/GU -A	120	50	110	2.30	8150	9000	1300	30	250	6 GN/GU -K	6GN10X
				60	110	2.10	6580	7550	1550				
	6IK120A-C	6IK120 GN/GU -C	120	50	220	1.15	8150	9000	1300	7	500	6 GN/GU -K	6GN10X
				60	220	1.05	6580	7550	1550				
	6IK140A-A	6IK140 GN/GU -A	140	50	110	2.60	9620	10500	1300	35	250	6 GN/GU -K	6GN10X
				60	110	2.40	8150	8800	1550				
	6IK140A-C	6IK140 GN/GU -C	140	50	220	1.30	9620	10500	1300	8	500	6 GN/GU -K	6GN10X
				60	220	1.20	8150	8800	1550				

### 外型尺寸: External dimension



型号 Type	减速比 Reduction ratio	L1 mm	L2 mm	L3 mm	h mm
6IK(RK)70A(GN)(GU)	1:3~1:20	101	42	143	6
	1:25~1:50	101	50	151	
	1:60~1:300	101	65	166	
6IK(RK)120A(GN)(GU)	1:3~1:20	141	42	183	6
	1:25~1:50	141	50	191	
	1:60~1:300	141	65	206	
6IK(RK)140A(GN)(GU)	1:3~1:20	163	42	205	6
	1:25~1:50	163	50	213	
	1:60~1:300	163	65	228	

### 扭矩表: Gear Head-Torque Table(Kg-cm)

$$(Kg/cm \times 9.8 \div 100) = N \cdot M (\text{牛顿} \cdot \text{米})$$

同步转速: r/min	500	300	200	150	120	100	75	60	50	30	20	15	10	7.5	6	5	3	
减速比: Gear reduction ratio	50Hz	3	5	7.5	10	12.5	15	20	25	30	50	75	100	150	200	250	300	500
	60Hz	3.6	6	9	12	15	18	24	30	36	60	90	120	180	240	300	360	600
允许负载 Permissible load	70W Kg·cm	11	18	27	35.5	45	53	72	86	103	170	255	340	450	450	450	450	450
	120W Kg·cm	18.7	30.7	46	61	77	92	123	147	177	295	450	450	450	450	450	450	450
	140W Kg·cm	22	36	53.5	71	90	107	143.5	171.5	206	340	450	450	450	450	450	450	450

表列数字是根据马达同步运转的转速,在额定负载情况下实际输出转速为同步运转转速的80%~90%。浅灰色表示输出轴运转方向与马达转向相同,白色栏表示输出方向与马达轴转向相反。

Note: Speed figures are based on synchronous speed, The actual output speed, under rated torque conditions, is about 10~20% less than synchronous speed, a grey background indicates output shaft of geared motor rotates in the same direction as output shaft of motor. A white background indicates rotation in the opposite direction.