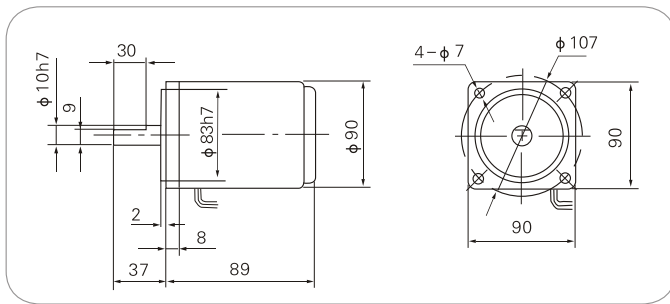


马达特性表 Specifications of motor

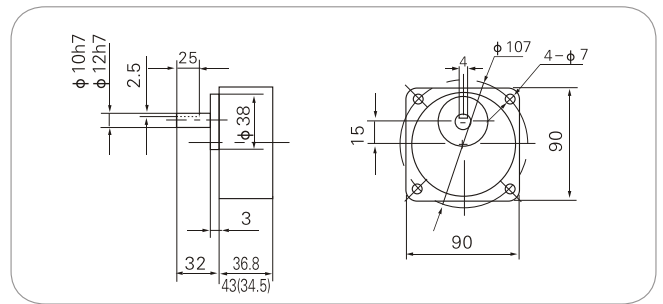
马达型号 Motor Model No.		出力 Force W	周波数 Peripheral Wave No Hz	电压 Voltage V	电流 Current A	启动转矩 Start Turning Moment gcm	定格 Rating 转矩 Turning Moment gcm	回转速数 Revolving No rpm	启动电容 Start condenser 容量 Capacity μF	耐电压 Resistance Voltage V	齿轮型号 Gear Model No 培林(轴承) Pairing Bearing	中间齿轮 Middle Gear
圆柱出力轴 Cylindrical Output Shaft	小齿切出力轴 Pinion Cut Output Shaft											
可逆马达 Reversible Motor	5RK40A-A	5RK40 $\frac{GN}{GU}$ -A	40	50	110	0.90	3000	3000	1300	12	250	5G $\frac{GN}{GU}$ -K
				60	110	0.82	2500	2515	1550	10		
	5RK40A-C	5RK40 $\frac{GN}{GU}$ -C	40	50	220	0.45	3000	3000	1300	3.0	500	5G $\frac{GN}{GU}$ -K
				60	220	0.41	2500	2515	1550	2.5		
感应马达 Induction Motor	5IK40A-A	5IK40 $\frac{GN}{GU}$ -A	40	50	110	0.85	2400	3000	1300	10	250	5G $\frac{GN}{GU}$ -K
				60	110	0.75	2000	2515	1550	8.0		
	5IK40A-C	5IK40 $\frac{GN}{GU}$ -C	40	50	220	0.42	2400	3000	1300	2.5	500	5G $\frac{GN}{GU}$ -K
				60	220	0.38	2000	2515	1550	2.0		

外型尺寸: External dimension

马达: MOTOR

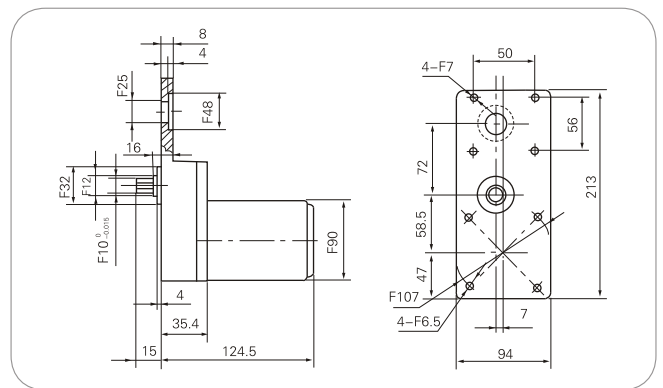
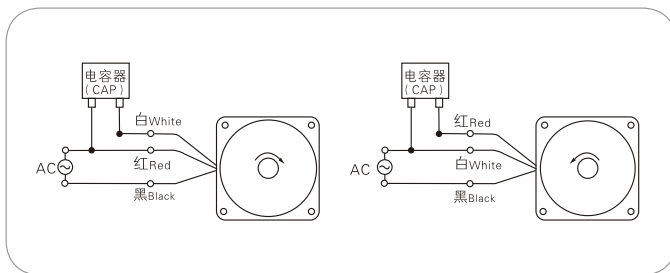


齿轮减速器: GEAR HEAD



接线图: Wiring diagram

PK型可逆马达: REVERSIBLE MOTOR



扭矩表: Gear Head-Torque Table(Kg-cm)

$(Kg/cm \times 9.8 \div 100) = N \cdot M$ (牛顿·米)

同步转速: r/min	500	300	200	150	120	100	75	60	50	30	20	15	10	7.5	6	5	3
减速比: Gear reduction ratio	50Hz 3 60Hz 3.6	5 6	7.5 9	10	12.5 15	15 18	20	25 30	30 36	50 60	75 90	100 120	150 180	200	250 300	300 360	500 600
允许负载 Permissible load	40W	Kg·cm 14	23	35	46	58	69	92	110	133	150	150	150	150	150	150	150

表列数字是根据马达同步运转的转速,在额定负载情况下实际输出转速为同步运转转速的80%~90%。浅灰色表示输出轴运转方向与马达转向相同,白色栏表示输出方向与马达轴转向相反。

Note: Speed figures are based on synchronous speed, The actual output speed, under rated torque conditions, is about 10~20% less than synchronous speed, a grey background indicates output shaft of geared motor rotates in the same direction as output shaft of motor. A white background indicates rotation in the opposite direction.