

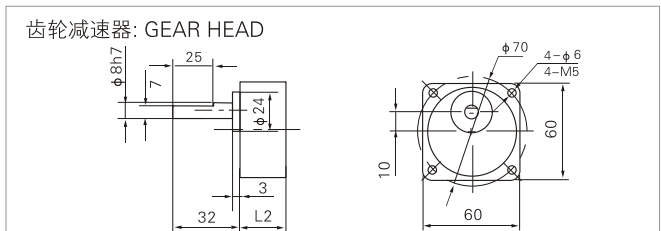
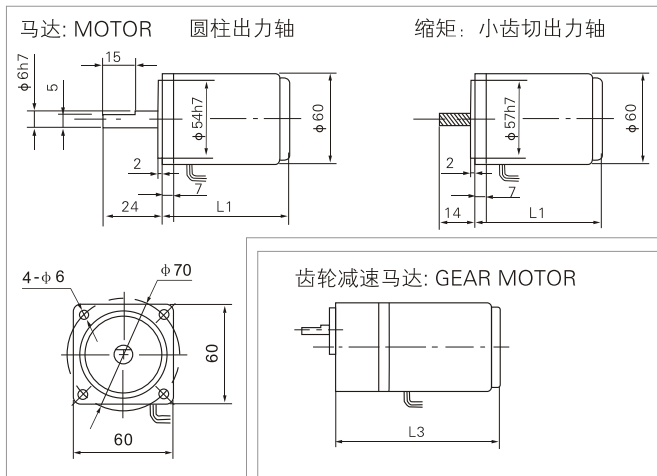
可逆马达 Rerersible Motor **4-10W**



马达特性表 Specifications of motor

马达型号 Motor Model No.			出力 Force W	周波数 Peripheral Wave No Hz	电压 Voltage V	电流 Current A	起动转矩 Start Turning Moment gcm	定格 Rating			起动电容 Start condenser		齿轮型号 Gear Model No	
圆柱出力轴 Cylindrical Output Shaft	小齿切出力轴 Pinion Cut Output Shaft	转矩 Turning Moment gcm						回转速 Revolving No rpm	容量 Capacity μF	耐电压 Resistance Voltage V	培林(轴承) Pairing Bearing	中间齿轮 Middle Gear		
可逆马达 Rerersible Motor	2RK4A-A	2RK4GN-A	4	50	110	0.20	390	325	1200	3	250	2GN-K	2GN10X	
				60	110	0.18	325	270	1450	2.5				
	2RK4A-C	2RK4GN-C	4	50	220	0.10	390	325	1200	0.8	500	2GN-K	2GN10X	
				60	220	0.09	325	270	1450	0.7				
	2RK6A-A	2RK6GN-A	6	50	110	0.24	600	487	1200	3	250	2GN-K	2GN10X	
				60	110	0.22	500	400	1450	2.5				
	2RK6A-C	2RK6GN-C	6	50	220	0.12	600	487	1200	0.8	500	2GN-K	2GN10X	
				60	220	0.11	500	400	1450	0.7				
	2RK10A-A	2RK10GN-A	10	50	110	0.30	950	812	1200	4	250	2GN-K	2GN10X	
				60	110	0.27	800	670	1450	3				
	2RK10A-C	2RK10GN-C	10	50	220	0.15	950	812	1200	1	500	2GN-K	2GN10X	
				60	220	0.135	800	670	1450	0.8				

外型尺寸: External dimension



型号 Type	减速比 Reducionratio	L1 mm	L2 mm	L3 mm
2K(RK)4A(GN)	1:3~1:20	62	33	95
2K(RK)6A(GN)		74		107
2K(RK)10A(GN)		74		107
2K(RK)4A(GN)	1:25~1:180	62	42	104
2K(RK)6A(GN)		74		116
2K(RK)10A(GN)		74		116

扭矩表: Gear Head-Torque Table(Kg-cm)

(Kg/cm × 9.8 ÷ 100) = N · M (牛顿 · 米)

同步转速: r/min	500	300	200	150	120	100	75	60	50	30	20	15	10	7.5	6	5	3	
减速比: Gear reduction ratio	50Hz	3	5	7.5	10	12.5	15	20	25	30	50	75	100	150	200	250	300	500
	60Hz	3.6	6	9	12	15	18	25	30	36	60	90	120	180	200	300	360	600
允许负载 missible load	4W	Kg · cm	0.66	1.1	1.7	2.2	2.7	3.3	4.4	5.4	6.5	10.7	15	20	25	25	25	25
	6W	Kg · cm	1.0	1.6	2.5	3.3	4.1	5	6.6	8.1	9.7	16	23	25	25	25	25	25
	10W	Kg · cm	1.7	2.7	4.2	5.5	6.8	8.3	11	13.5	16	25	25	25	25	25	25	25

表列数字是根据马达同步运转的转速,在额定负载情况下实际输出转速为同步运转转速的80%~90%。浅灰色表示输出轴运转方向与马达转向相同,白色栏表示输出方向与马达轴转向相反。

Note: Speed figures are based on synchronous speed, The actual output speed, under rated torque conditions, is about 10~20% less than synchronous speed, a grey background indicates output shaft of geared motor rotates in the same direction as output shaft of motor. A white background indicates rotation in the opposite direction.