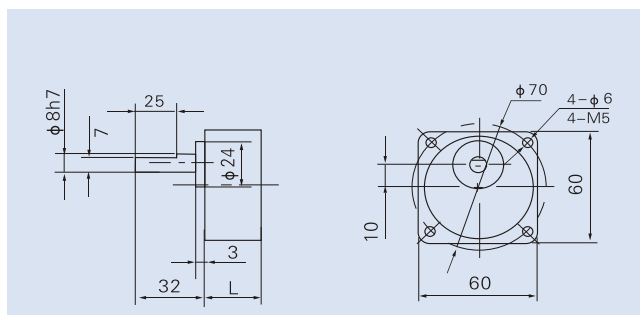
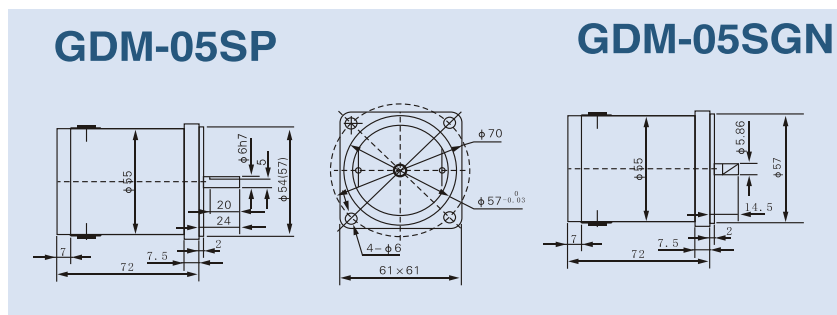


**电机性能参数 Motor Performance Parameters**

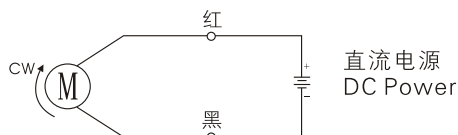
型号 Model	电压 Voltage	功率 Power	负载参数Load Parameters			电刷寿命 Brush Life	电机重量 Motor Weight
			转速Speed	力矩Torque	电流Current		
	V	W	RPM	kg.cm	A	H	kg
GDM-05SP GDM-05SGN(U)	12	10	1800	0.54	1.45	2000	
	24	10	1800	0.54	2.25	2000	
GDM-05SP GDM-05SGN(U)	12	15	3200	0.81	2.1	2000	
	24	15	3200	0.81	1.05	2000	

**电机外形尺寸 Motor Overall Dimension**

**齿轮箱外形尺寸 Overall Dimension of Gearbox**



**电机接线图 Wiring Diagram of Motor**



齿轮箱Gearbox	速比Reduction Ratio	尺寸L(mm)
60JB	1/3~1/20	32
	1/25~1/500	42

**齿轮箱允许力矩 Allowable Torque on Gearbox**

型号Model	转速	减速比Reduction Ratio		3	3.6	5	6	7.5	9	10	12.5	15	18	20	25	30	36	40	50	60
GDM-05SGN	rpm	输出轴转速 Output Shaft Speed	r/min	600	500	360	300	240	200	180	144	120	100	90	7.20	6	5	4.5	3.6	3.0
		允许力矩 Allowable Torque	N.m	0.128	0.154	2.146	0.257	0.321	0.386	0.428	0.536	0.643	0.771	0.857	0.965	1.159	1.386	1.545	1.93	2.317
GDM-05SGN	rpm	输出轴转速 Output Shaft Speed	r/min	1067	888.8	640	533.3	426	355.5	320	256	213	177.77	160	128	106	88.88	80	64	53.33
		允许力矩 Allowable Torque	N.m	0.193	0.231	0.321	0.385	0.482	0.578	0.643	0.803	0.964	1.156	1.287	1.448	1.737	2.085	2.318	2.45	2.45
			kgf.cm	1.31	1.57	2.19	2.62	3.28	3.93	4.37	5.47	6.56	7.87	8.75	9.85	11.83	14.15	15.77	19.71	23.65

型号Model	转速	减速比Reduction Ratio		75	90	100	120	150	180	200	250	300
GDM-05SGN	rpm	输出轴转速 Output Shaft Speed	r/min	24	20	18	15	12	10	9	7.2	6
		允许力矩 Allowable Torque	N.m	2.45	2.45	2.45	2.45	2.45	2.45	2.45	2.45	2.45
GDM-05SGN	rpm	输出轴转速 Output Shaft Speed	r/min	42.66	35.55	32	26.66	21.33	17.77	160	12.80	10.66
		允许力矩 Allowable Torque	N.m	2.45	2.45	2.45	2.45	2.45	2.45	2.45	2.45	2.45
			kgf.cm	25	25	25	25	25	25	25	25	