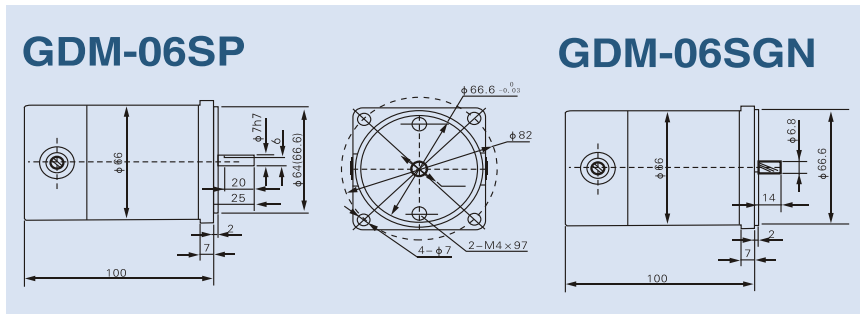


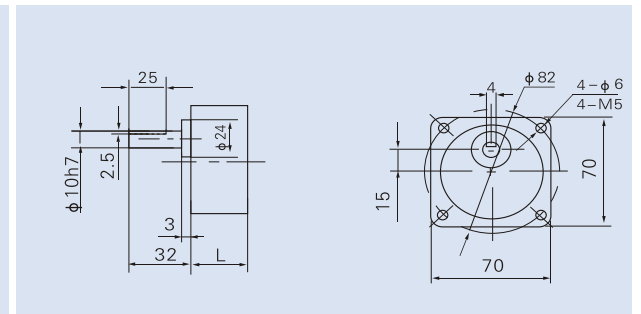
电机性能参数 Motor Performance Parameters

| 型号 Model | 电压 Voltage | 功率 Power | 负载参数Load Parameters | | | 电刷寿命 Brush Life | 电机重量 Motor Weight |
|--------------------------|---------------|-------------|---------------------|----------|-----------|--------------------|----------------------|
| | | | 转速Speed | 力矩Torque | 电流Current | | |
| | V | W | RPM | kg.cm | A | H | kg |
| GDM-06SP GDM-06SGN(U) | 12 | 20 | 1800 | 1.08 | 2.8 | 2000 | |
| | 24 | 20 | 1800 | 1.08 | 1.4 | 2000 | |
| | 90 | 20 | 1800 | 1.08 | 0.5 | 2000 | |
| GDM-06SP GDM-06SGN(U) | 12 | 36 | 3200 | 1.10 | 5 | 2000 | |
| | 24 | 36 | 3200 | 1.10 | 2.5 | 2000 | |
| | 90 | 36 | 3200 | 1.10 | 0.7 | 2000 | |

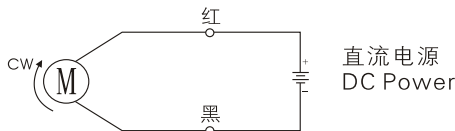
电机外形尺寸 Motor Overall Dimension



齿轮箱外形尺寸 Overall Dimension of Gearbox



电机接线图 Wiring Diagram of Motor



| 齿轮箱Gearbox | 速比Reduction Ratio | 尺寸L(mm) |
|------------|-------------------|---------|
| 70JB | 1/3~1/20 | 32 |
| | 1/25~1/500 | 42 |

齿轮箱允许力矩 Allowable Torque on Gearbox

| 型号Model | 转速 | 减速比Reduction Ratio | | 3 | 3.6 | 5 | 6 | 7.5 | 9 | 10 | 12.5 | 15 | 18 | 20 | 25 | 30 | 36 | 40 | 50 | 60 | |
|-----------|------|--------------------------|-----------------------------|-------|-------|-------|-------|-------|-------|-------|-------|-------|-------|-------|-------|-------|-------|-------|-------|-------|----|
| GDM-06SGN | 1800 | rpm | 输出轴转速 Output Shaft Speed | r/min | 600 | 500 | 360 | 300 | 240 | 200 | 180 | 144 | 120 | 100 | 90 | 7.20 | 60 | 50 | 45 | 36 | 30 |
| | | 允许力矩 Allowable Torque | N.m | 0.256 | 0.309 | 0.428 | 0.514 | 0.642 | 0.771 | 0.857 | 1.071 | 1.285 | 1.542 | 1.715 | 1.931 | 2.317 | 2.781 | 3.089 | 3.863 | 4.635 | |
| | | | kgf.cm | 2.62 | 3.15 | 4.37 | 5.25 | 6.56 | 7.87 | 8.75 | 10.93 | 13.12 | 15.74 | 17.50 | 19.71 | 23.65 | 28.38 | 31.53 | 39.42 | 47.30 | |
| GDM-06SGN | 3200 | rpm | 输出轴转速 Output Shaft Speed | r/min | 1067 | 888 | 640 | 533 | 426 | 355 | 320 | 256 | 213 | 178 | 160 | 128 | 106 | 88.80 | 80 | 64 | 53 |
| | | 允许力矩 Allowable Torque | N.m | 0.261 | 0.315 | 0.436 | 0.524 | 0.654 | 0.785 | 0.873 | 1.091 | 1.309 | 1.57 | 1.746 | 1.966 | 2.36 | 2.833 | 3.147 | 3.935 | 4.722 | |
| | | | kgf.cm | 2.67 | 3.21 | 4.45 | 5.35 | 6.68 | 8.02 | 8.91 | 11.13 | 13.36 | 16.03 | 17.82 | 20.07 | 24.09 | 28.9 | 32.12 | 40.15 | 48.18 | |

| 型号Model | 转速 | 减速比Reduction Ratio | | 75 | 90 | 100 | 120 | 150 | 180 | 200 | 250 | 300 | 360 | 400 | 500 | |
|-----------|------|--------------------------|-----------------------------|-------|------|-------|------|-------|-------|-------|------|-------|-------|------|------|-----|
| GDM-06SGN | 1800 | rpm | 输出轴转速 Output Shaft Speed | r/min | 24 | 20 | 18 | 15 | 12 | 10 | 9 | 7.2 | 6 | 5 | 4.5 | 3.6 |
| | | 允许力矩 Allowable Torque | N.m | 4.90 | 4.90 | 4.90 | 4.90 | 4.90 | 4.90 | 4.90 | 4.90 | 4.90 | 4.90 | 4.90 | 4.90 | |
| | | | kgf.cm | 50 | 50 | 50 | 50 | 50 | 50 | 50 | 50 | 50 | 50 | 50 | 50 | |
| GDM-06SGN | 3200 | rpm | 输出轴转速 Output Shaft Speed | r/min | 42.6 | 35.50 | 32 | 26.60 | 21.30 | 17.70 | 160 | 12.80 | 10.60 | 8.90 | 80 | 64 |
| | | 允许力矩 Allowable Torque | N.m | 4.90 | 4.90 | 4.90 | 4.90 | 4.90 | 4.90 | 4.90 | 4.90 | 4.90 | 4.90 | 4.90 | 4.90 | |
| | | | kgf.cm | 50 | 50 | 50 | 50 | 50 | 50 | 50 | 50 | 50 | 50 | 50 | 50 | |