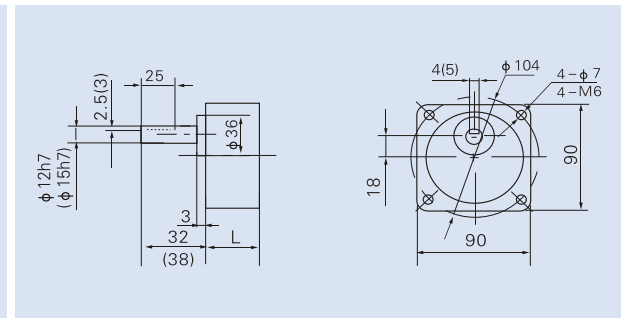
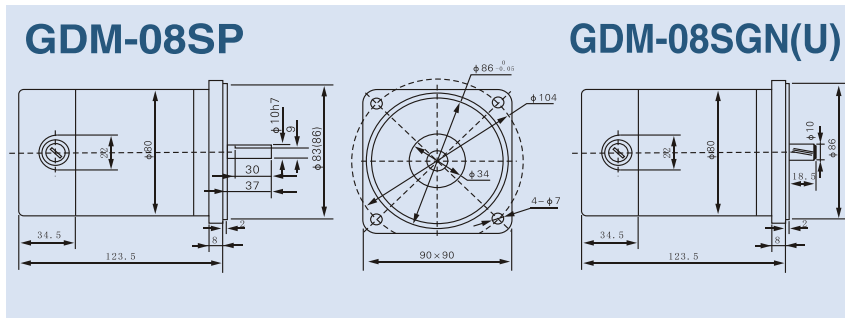


电机性能参数 Motor Performance Parameters

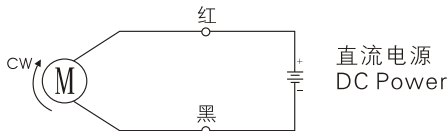
型号 Model	电压 Voltage	功率 Power	负载参数Load Parameters			电刷寿命 Brush Life	电机重量 Motor Weight
			转速Speed	力矩Torque	电流Current		
	V	W	RPM	kg.cm	A	H	kg
GDM-08SP GDM-08SGN(U)	12	40	1800	2.20	5.6	2000	
	24	40	1800	2.20	2.8	2000	
	90	40	1800	2.20	0.74	2000	
GDM-08SP GDM-08SGN(U)	12	70	3200	2.10	9.7	2000	
	24	70	3200	2.10	4.8	2000	
	90	70	3200	2.10	1.3	2000	

电机外形尺寸 Motor Overall Dimension

齿轮箱外形尺寸 Overall Dimension of Gearbox



电机接线图 Wiring Diagram of Motor



齿轮箱Gearbox	速比Reduction Ratio	尺寸L(mm)
90JB	1/3~1/20	43
	1/25~1/500	61

齿轮箱允许力矩 Allowable Torque on Gearbox

型号Model	转速 rpm	减速比Reduction Ratio		3	3.6	5	6	7.5	9	10	12.5	15	18	20	25	30	36	40	50	60
				输出轴转速 Output Shaft Speed	r/min	600	500	360	300	240	200	180	144	120	100	90	72	60	50	45
GDM-08SGN	1800	允许力矩 Allowable Torque	N.m	0.523	0.628	0.873	1.047	1.31	1.572	1.746	2.182	2.618	3.142	3.492	3.943	4.721	5.665	6.295	7.87	9.44
			kgf.cm	5.34	6.41	8.91	10.69	13.365	16.04	17.82	22.27	26.73	32.07	35.64	40.15	48.18	57.82	64.24	80.30	96.36
GDM-08SGN	3200	允许力矩 Allowable Torque	N.m	0.50	0.60	0.833	1.0	1.25	1.50	1.667	2.083	2.5	3.00	3.33	3.755	4.51	5.41	6.01	7.51	9.01
			kgf.cm	5.10	6.12	8.505	10.20	12.76	15.31	17.01	21.26	25.51	30.62	34.03	38.32	45.99	55.20	61.32	76.65	91.98

型号Model	转速 rpm	减速比Reduction Ratio		75	90	100	120	150	180	200	250	300	360	400	500
				输出轴转速 Output Shaft Speed	r/min	24	20	18	15	12	10	9	7.2	6	5
GDM-08SGN	1800	允许力矩 Allowable Torque	N.m	10.67	12.81	14.23	14.70	14.70	14.70	14.70	14.70	14.70	14.70	14.70	14.70
			kgf.cm	108.90	130.68	145.20	150	150	150	150	150	150	150	150	150
GDM-08SGN	3200	允许力矩 Allowable Torque	N.m	10.18	12.22	13.58	14.70	14.70	14.70	14.70	14.70	14.70	14.70	14.70	14.70
			kgf.cm	103.95	124.74	138.60	150	150	150	150	150	150	150	150	150