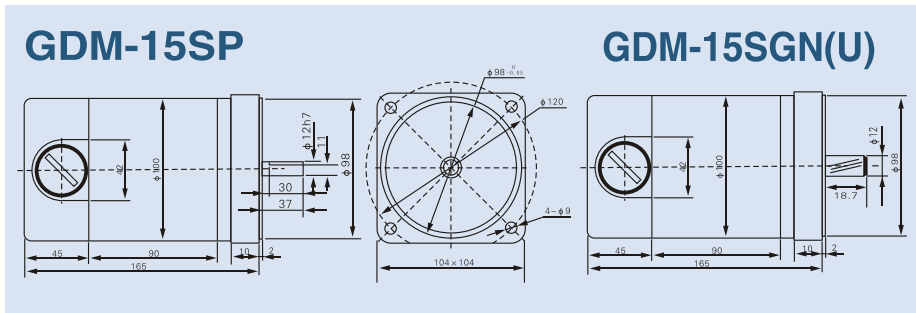


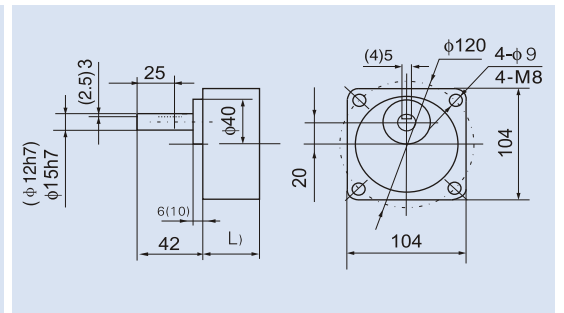
电机性能参数 Motor Performance Parameters

型号 Model	电压 Voltage	功率 Power	负载参数Load Parameters			电刷寿命 Brush Life	电机重量 Motor Weight
			转速Speed	力矩Torque	电流Current		
	V	W	RPM	kg.cm	A	H	kg
GDM-15SP GDM-15SGN(U)	24	200	1800	10.80	14	2000	
	90	200	1800	10.80	3.7	2000	
	180	200	1800	10.80	1.85	2000	
GDM-15SP GDM-15SGN(U)	24	300	3200	9.11	21	2000	
	90	300	3200	9.11	5.6	2000	
	180	300	3200	9.11	2.8	2000	

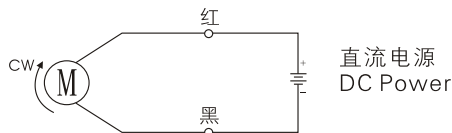
电机外形尺寸 Motor Overall Dimension



齿轮箱外形尺寸 Overall Dimension of Gearbox



电机接线图 Wiring Diagram of Motor



齿轮箱 Gearbox	速比 Reduction Ratio	尺寸 L(mm)
100JB	1/3~1/20	42
	1/25~1/500	65

齿轮箱允许力矩 Allowable Torque on Gearbox

型号 Model	转速 rpm	减速比 Reduction Ratio		3	3.6	5	6	7.5	9	10	12.5	15	18	20	25	30	36	40	50	60	
GDM-15SGN	1800	输出轴转速 Output Shaft Speed	r/min	600	500	360	300	240	200	180	144	120	100	90	72	60	50	45	36	30	
		允许力矩 Allowable Torque	N.m	2.57	3.08	4.28	5.14	6.43	7.71	8.572	10.71	12.85	15.43	17.14	19.31	23.2	27.81	30.90	37.08	44.1	
GDM-15SGN	3200	输出轴转速 Output Shaft Speed	r/min	1067	888	640	533	426	355	320	256	213	178	160	128	106	88.80	80	64	53	
		允许力矩 Allowable Torque	N.m	2.17	2.60	3.62	4.34	5.43	6.51	7.23	9.04	10.85	13.02	14.46	16.28	19.55	23.46	26.06	32.57	39.2	
GDM-15SGN	1800	输出轴转速 Output Shaft Speed	r/min	24	20	18	15	12	10	9	7.2	6	5	4.5	3.6	44.1	44.1	44.1	44.1	44.1	44.1
		允许力矩 Allowable Torque	kgf.cm	450	450	450	450	450	450	450	450	450	450	450	450	450	450	450	450	450	450
GDM-15SGN	3200	输出轴转速 Output Shaft Speed	r/min	42.6	35.50	32	26.6	21.30	17.7	160	12.8	10.6	8.9	80	64	44.1	44.1	44.1	44.1	44.1	44.1
		允许力矩 Allowable Torque	kgf.cm	450	450	450	450	450	450	450	450	450	450	450	450	450	450	450	450	450	450

型号 Model	转速 rpm	减速比 Reduction Ratio		75	90	100	120	150	180	200	250	300	360	400	500
GDM-15SGN	1800	输出轴转速 Output Shaft Speed	r/min	24	20	18	15	12	10	9	7.2	6	5	4.5	3.6
		允许力矩 Allowable Torque	kgf.cm	450	450	450	450	450	450	450	450	450	450	450	450
GDM-15SGN	3200	输出轴转速 Output Shaft Speed	r/min	42.6	35.50	32	26.6	21.30	17.7	160	12.8	10.6	8.9	80	64
		允许力矩 Allowable Torque	kgf.cm	450	450	450	450	450	450	450	450	450	450	450	450